

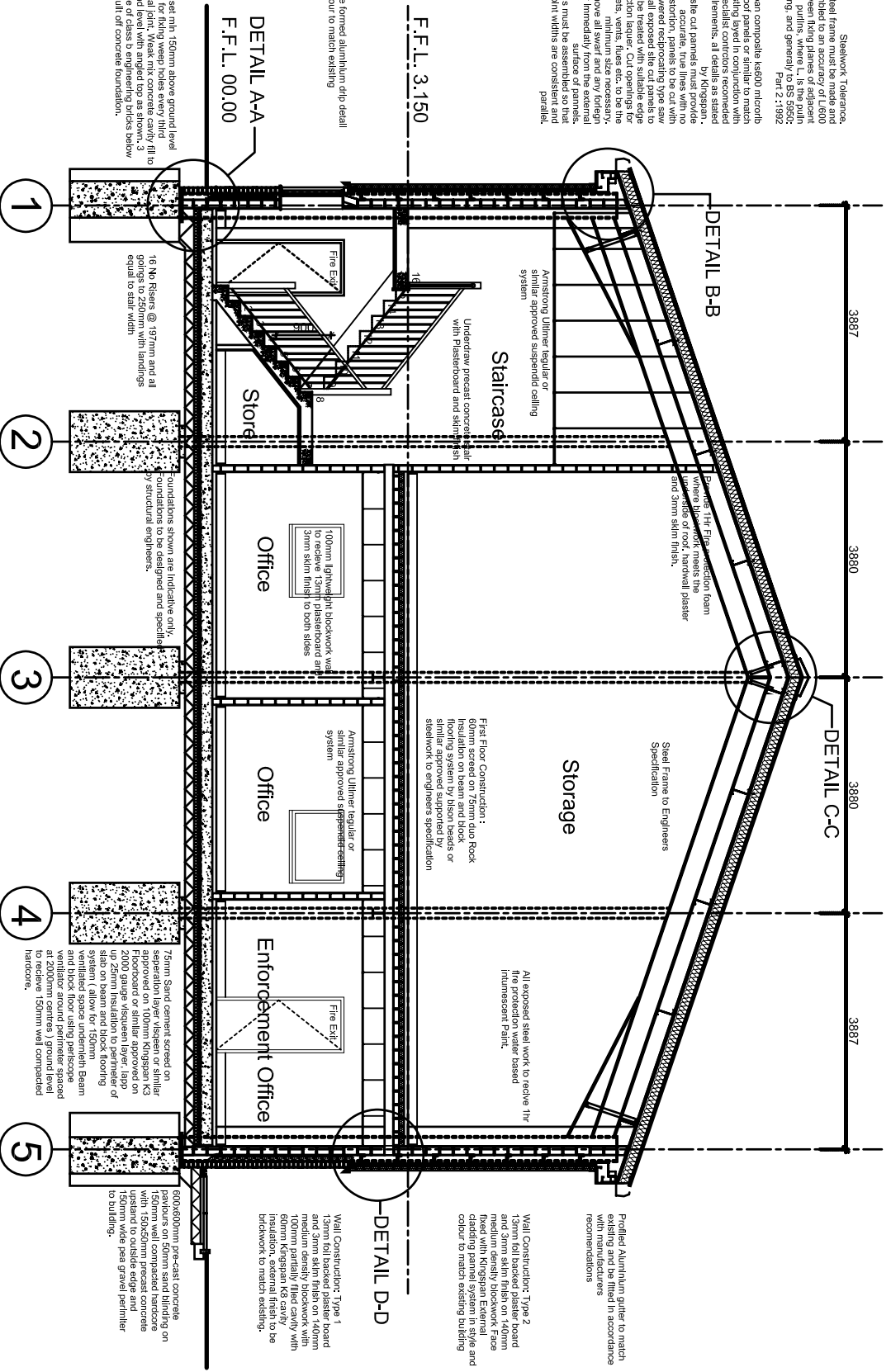
Steelwork Tolerances:  
The steel frame must be made and assembled to an accuracy of L/600 between fixing plates of adjacent members and to an accuracy of L/1000 between end plates of adjacent members, and generally to BS 5655: Part 2 :1992

Kingspan composite beam/ slab/ roof panels or similar to match existing layout in conjunction with specialist contractors recommended requirements, as used by Kingspan.  
All site cut panels must provide accurate, true lines with no distortion, panels cut with powered hand tools and all exposed site cut panels to be treated with suitable edge protection tape. Cut openings for services, minimum size necessary. Remove all swarf and any foreign matter immediately from the external panels must be assembled so that joint widths are consistent and parallel.

Profile formed aluminium drip detail in colour to match existing

DPL set min 150mm above ground level. Allow for fixing weep holes every third vertical joint. Make mix concrete cavity fill to course of class 2 engineering bricks below dip built off concrete foundation.

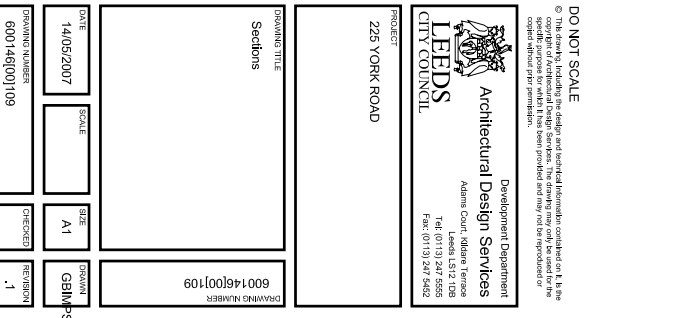
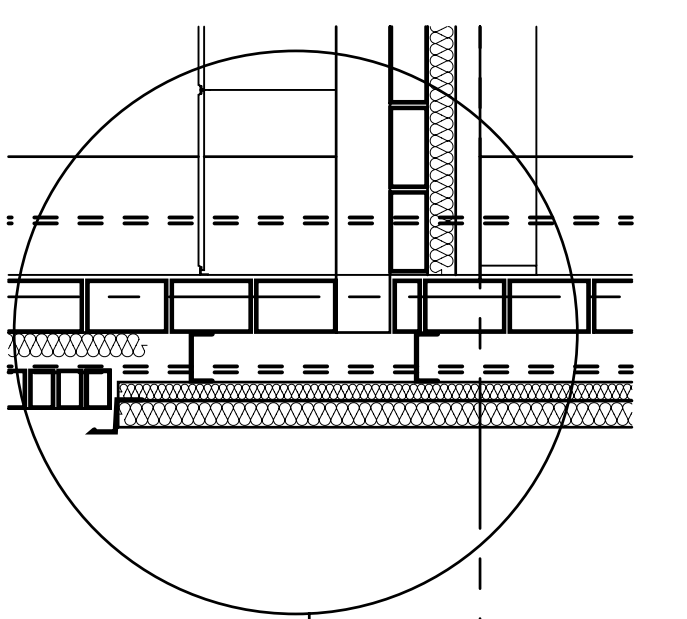
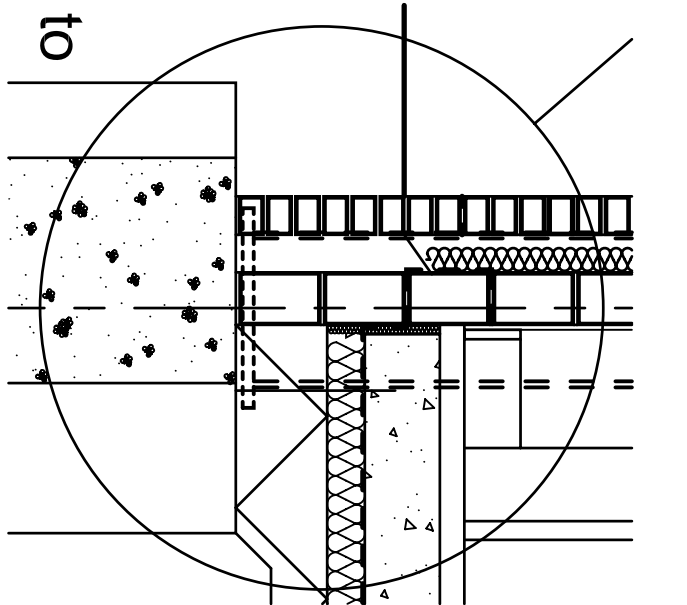
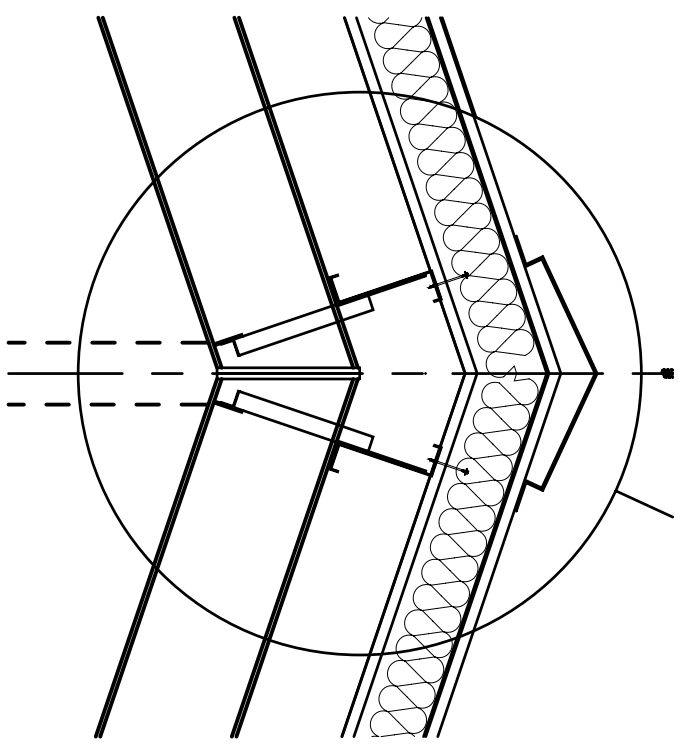
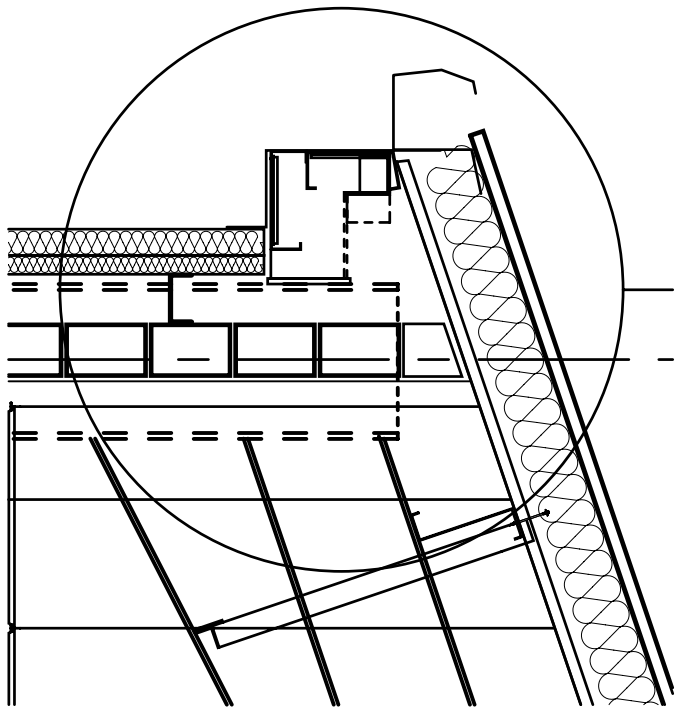
### Section A A



Foundations shown are indicative only. Foundations to be designed and specified by structural engineers.

75mm Sand cement screed on separation layer Kingspan K3 floorboard or similar approved on up to 25mm insulation to perimeter of slab on beam and block flooring system ( allow for 150mm ventilate space under main Beam and 150mm ventilate space around perimeter spaced at 2000mm centres ) ground level to receive 150mm well compacted hardcore.

600x600mm pre-cast concrete pavers on 50mm sand bedding on 150x50mm precast concrete upstand to outside edge and 150mm wide pea gravel perimeter to building.



**DO NOT SCALE**  
This drawing is a computer generated drawing. It is the property of Leeds City Council. It is not to be used for any other purpose without the written permission of Leeds City Council. The drawing may only be used for the purposes for which it was prepared.

**Architectural Design Services**  
Leeds City Council  
Adams Court, Victoria Terrace  
Leeds LS2 7UB  
Tel: 0113 275 2422  
Fax: 0113 247 2422

**Development Department**  
225 YORK ROAD  
PROJECT

DRAWING TITLE: Sections  
DRAWING NUMBER: 600146[00]109

DATE: 14/05/2007	SCALE:	SIZE: A1	FORMAT: GBINP-S-N
DRAWN BY: READER	CHECKED: READER	DATE: 600146[00]109	SCALE: .1